
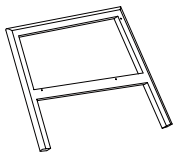
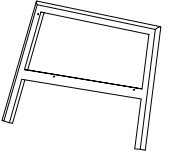
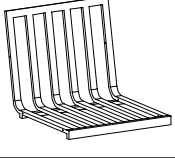
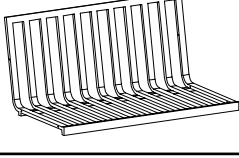



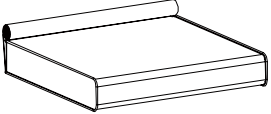
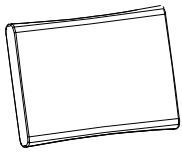
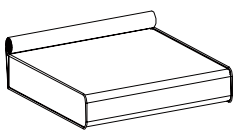

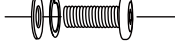
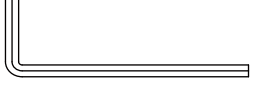


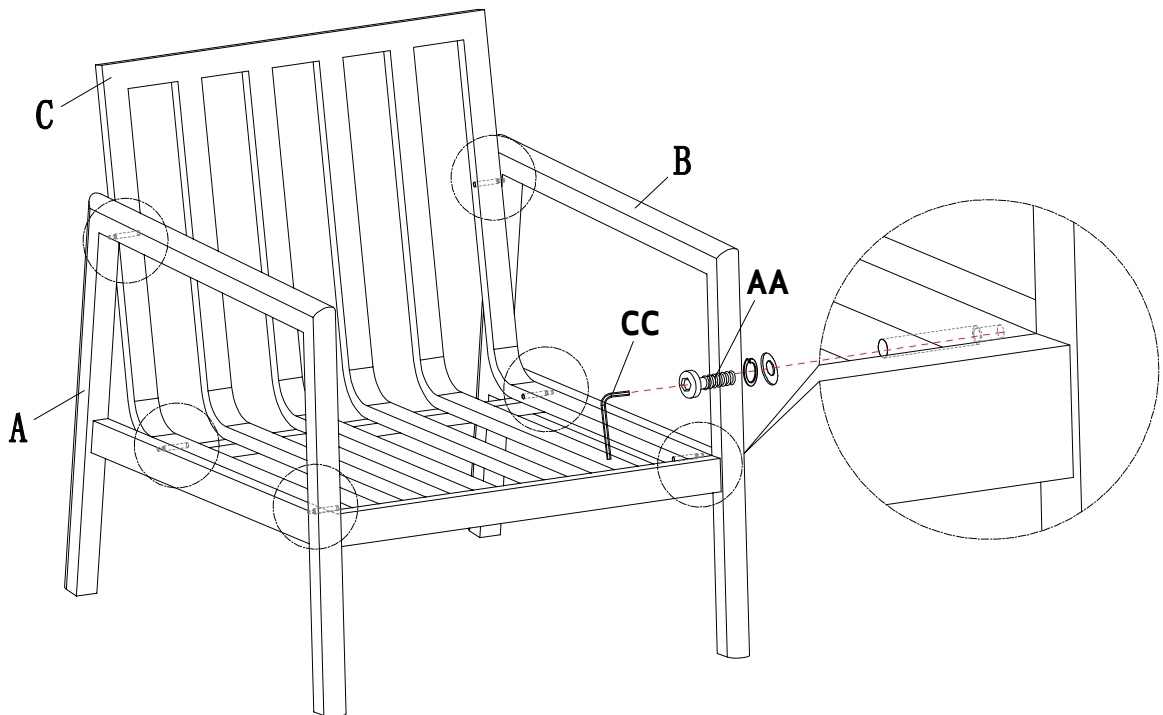
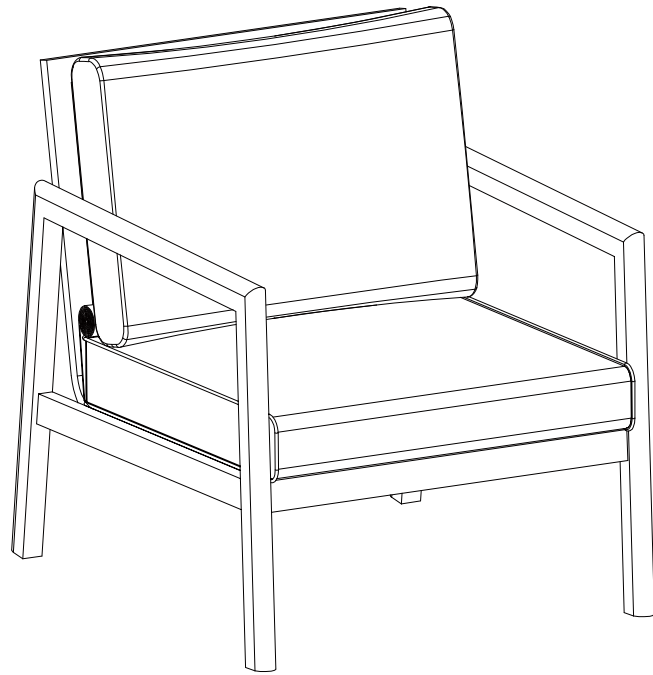
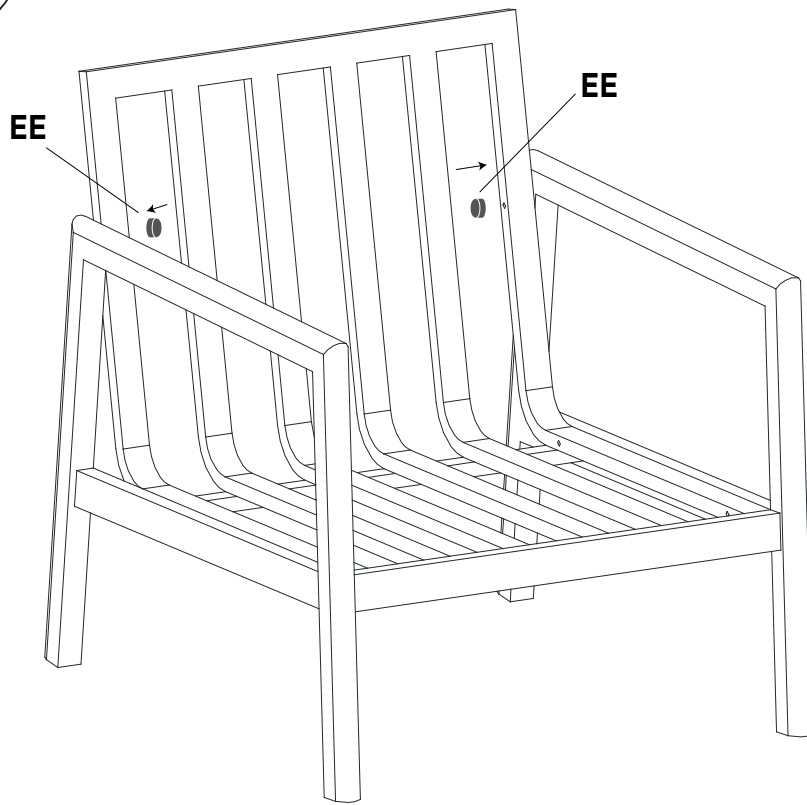
 30 Min	
---	---

A		3
B		3
C		2
D		1
E		1
F		2
G		2
H		2
I		4
J		2

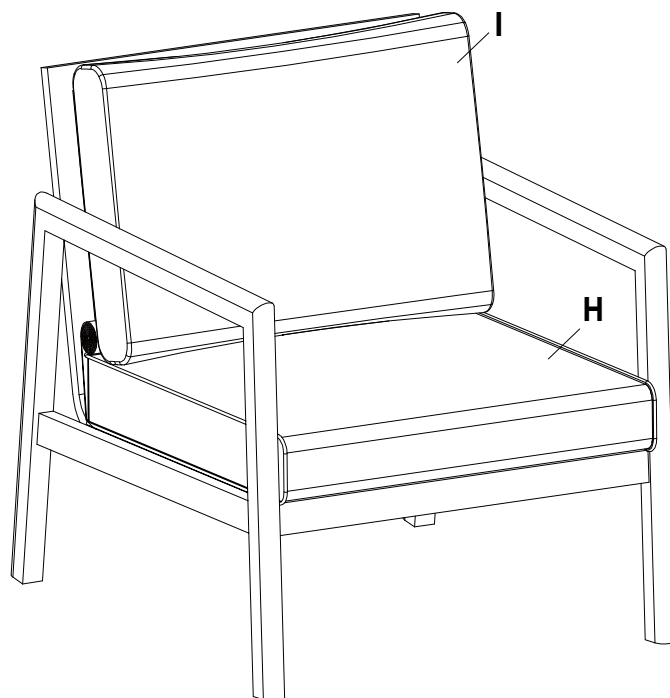
AA	 M6*55	18
BB	 M8*25	4
CC	 M6	1
DD	 M8	1
EE		6

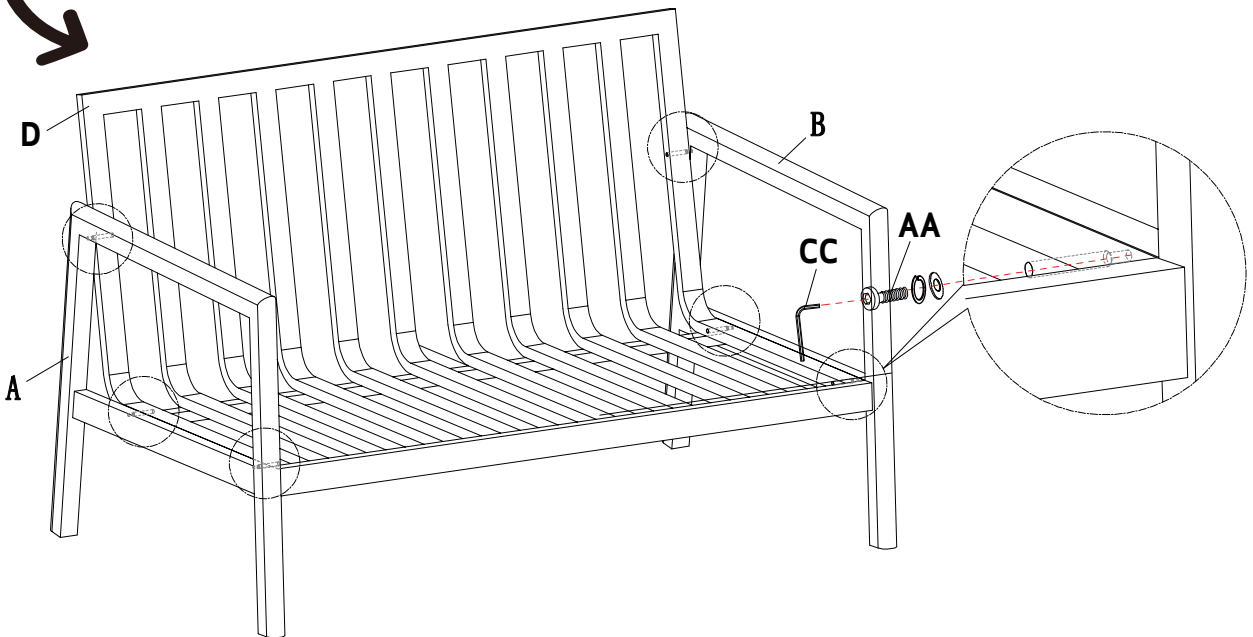
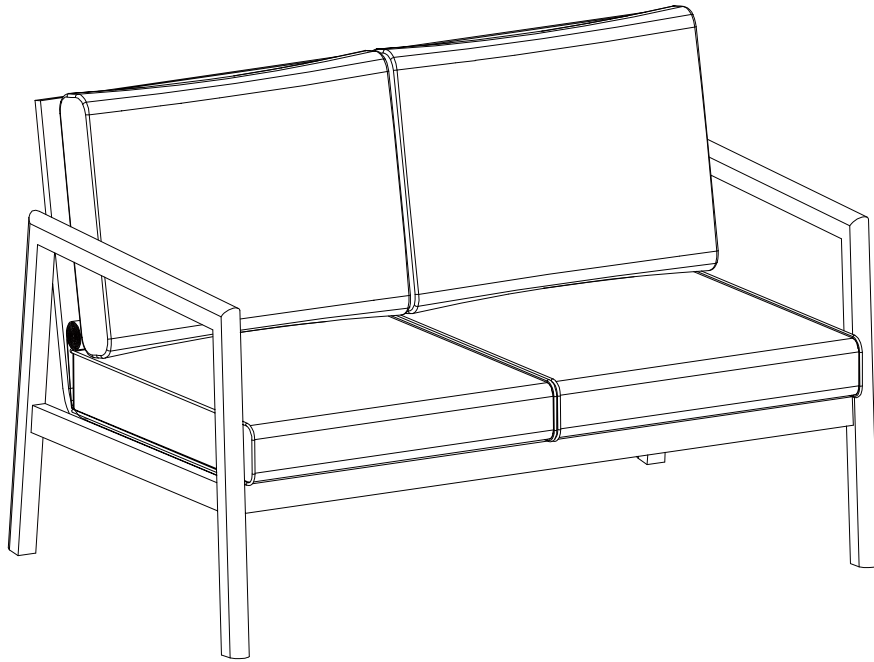


2



3



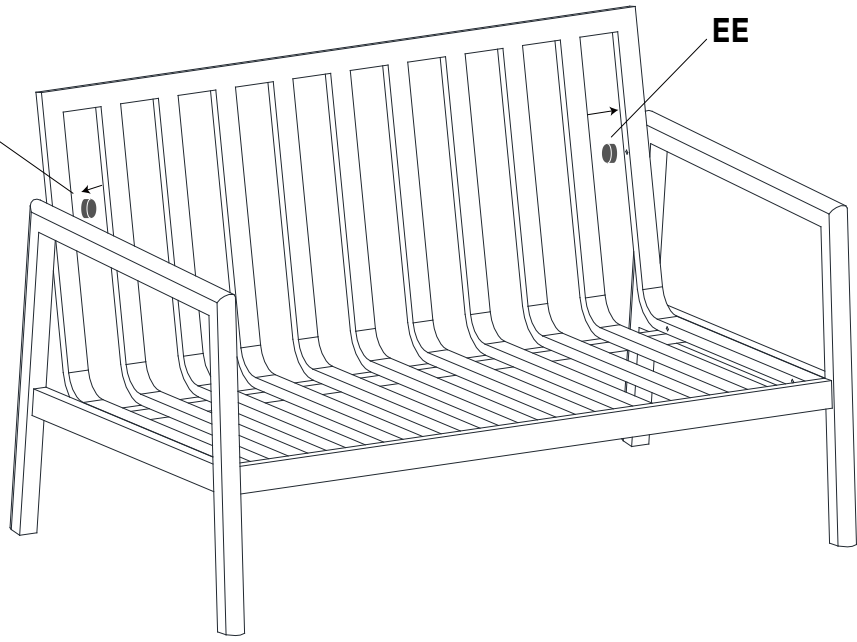


5



EE

EE



6



I

J

